



## Remote controller:



1. Mute
2. Mode
3. Record
4. Play the recording clip
5. Volume +
6. Previous song / long press to rewind
7. Play / Pause
8. Next song / long press to fast forward
9. Volume -
10. Loop playback
11. EQ
12. Song selection

## WARNING

 This symbol indicates that dangerous voltage constituting a risk of electric shock is present within this unit.

 This symbol indicated that there are important operating and maintenance instructions in the literature accompanying this unit.

### 1. FOR OUTDOOR USE:

To reduce the risk of fire or electric shock, do not expose this apparatus to rain or moisture.

### 2. UNDER WET LOCATION:

Apparatus should not be exposed to dripping or splashing and no objects filled with liquids, such as vases should be placed on the apparatus.

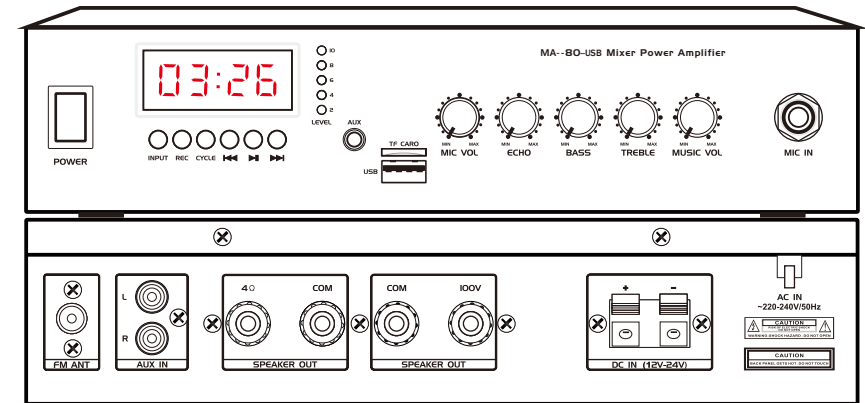
### 3. SERVICE INSTRUCTIONS:

CAUTION - These servicing instructions are for use by qualified service personnel only. To reduce the risk of electric shock, do not perform any servicing other than that contained in the operating instructions unless you are qualified to do so.

# User's Manual

# BYFORD AUDIO

## Compact PA Amplifier MA-80-USB



Specifications are subject to be changed without notice.



## Description:

For background/foreground music and paging applications, Compro series all-in-one amplifier is designed to deliver premium sound, provide simplified set up and easy daily operation, and offer the flexibility to expand when more loudspeakers are required.

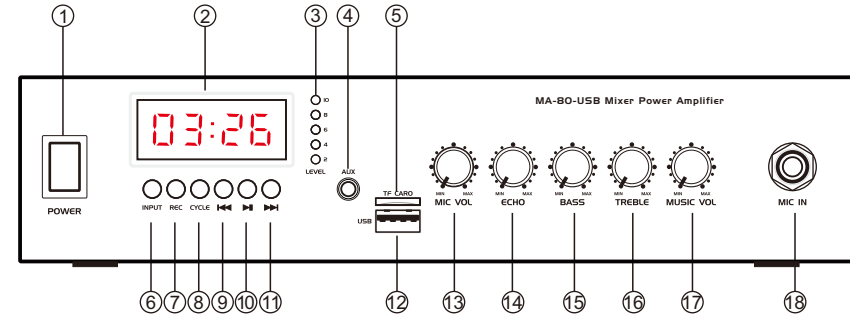
This amplifier series integrates Mp3, TF card, record, echo, paging and amplification for a wide range of commercial applications such as retail stores, restaurants and bars, hospitality venues, conference rooms, schools and auxiliary zones.

## Features:

- ▶ Amplification for premium sound from a reliable, high quality Class-D amplifier provides optimized performance and premium sound quality
- ▶ With Record function, can record in the USB memory and play .
- ▶ Microphone priority function to mute the BGM in paging status.
- ▶ Individual music and microphone paging volume controls.
- ▶ Bass, Treble and Echo controls
- ▶ With built-in Mp3 supports many audio format like Mp3,WMA, WAV, APE, FLAC etc.
- ▶ 4 Ohm and 100V outputs optional.
- ▶ Emergency 12-24VDC battery back up function, or use in car for vehicle amplifier.

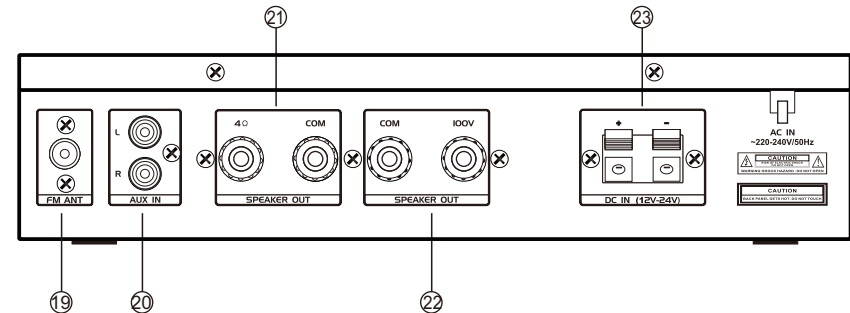
Model	MA-80-USB
Rated Output Power	Max 80W, RMS 40W
Power Supply Voltage	~100-240V (USA version) or ~220-240V 50/60Hz
Power Consumption	<40W/50W
Speaker Output	100V / 70V (USA version) / 4Ω
Frequency Response	20~20KHz (+1dB ~ -3dB) at 4ohms
SNR	>89dB (with A-Weight)
Nonlinear Distortion	<1% (at 1/3 rated power, 1kHz)
Microphone input	30mV, 600Ω, balanced input
Auxiliary input	+6dBu, 10KΩ, unbalanced input
VOL Range	Bass:100Hz(±10dB), Treble:12KHz(±10dB)
Mute Function	MIC over other inputs
Function Controls	1×power switch, 1× input source selection switch 1× music volume knob, 1× bass knob, 1× treble knob, 1×MIC volume knob 1× echo knob, 1×record key, 1×cycle key, 1×prev key, 1×next key, 1×pause key
Working Temperature	-10°C ~+40°C
Cooling	Convection cooling
Product Dimension (WxHxD)	280×62×185 mm
Package Dimension (WxHxD)	345×110×250 mm
Net Weight	1.8kg
Gross Weight	2.2kg

## Front Panel:



1. Power On/off
2. Display
3. Output level indicator
4. Aux in (use a 3.5mm headphone plug this interface and the rear panel  
On the 19 Lotus input interface, you can only choose to use one of them)
5. SD (TF) card socket
6. Audio source selection (long press to select voice prompt on or off)
7. MP3 recording button, long press for 3 seconds to start recording
8. Loop playback, single loop or full loop can be selected
9. Previous song, long press to rewind
10. Play / Pause
11. Next song, long press to fast forward
12. USB socket
13. Microphone volume control
14. Echo control
15. Music tone control for BASS
16. Music tone control for TREBLE
17. Music volume control
18. Microphone input

## Rear Panel:



19. NA
20. Aux in
21. Speaker output. Low-Z speaker terminals.  
Red terminal: +. Black terminal: -.
22. Speaker output. High-Z speaker terminals.  
Red terminal: +. Black terminal: -.  
(Note: DO NOT connect Low-Z and High-Z speakers at the same time.)
23. 12V-24V DC power input terminal. Red: + . Black: - .  
(Not: DO NOT connect a DC power supply with a voltage exceeding 24V. DO NOT connect this port to AC power.)